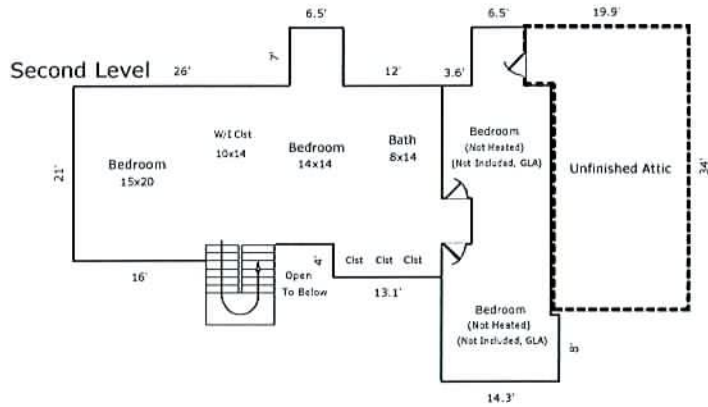


FLOORPLAN

Borrower: Square Footage Cert.	File No.: A1015AA
Property Address: 1015 Barry Lane	Case No.:
City: Gallatin	State: TN Zip: 37066
Lender: Re/Max Choice Properties	



Sketch by Apex Medina™

Comments:

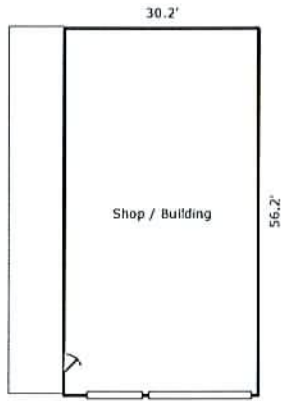
AREA CALCULATIONS SUMMARY			
Code	Description	Net Size	Net Totals
GLA2	Second Floor	995.2	995.2
OTH	Finished/Not Heated	507.2	
	Unfinished Attic	579.4	1086.6

LIVING AREA BREAKDOWN			
Breakdown			Subtotals
Second Floor			
13.1	x	4.0	52.4
48.1	x	5.5	264.6
2.0	x	16.0	32.0
7.0	x	6.5	45.5
13.5	x	44.5	600.8

Net LIVABLE Area (rounded) 995 5 Items (rounded) 995

FLOORPLAN

Borrower: Square Footage Cert.	File No.: A1015AA
Property Address: 1015 Barry Lane	Case No.:
City: Gallatin	State: TN Zip: 37066
Lender: Re/Max Choice Properties	



Sketch by Apex Medra™

Comments:

AREA CALCULATIONS SUMMARY			
Code	Description	Net Size	Net Totals
OTH	Shop / Building	1697.2	1697.2

AREA BREAKDOWN	
Breakdown	Subtotals